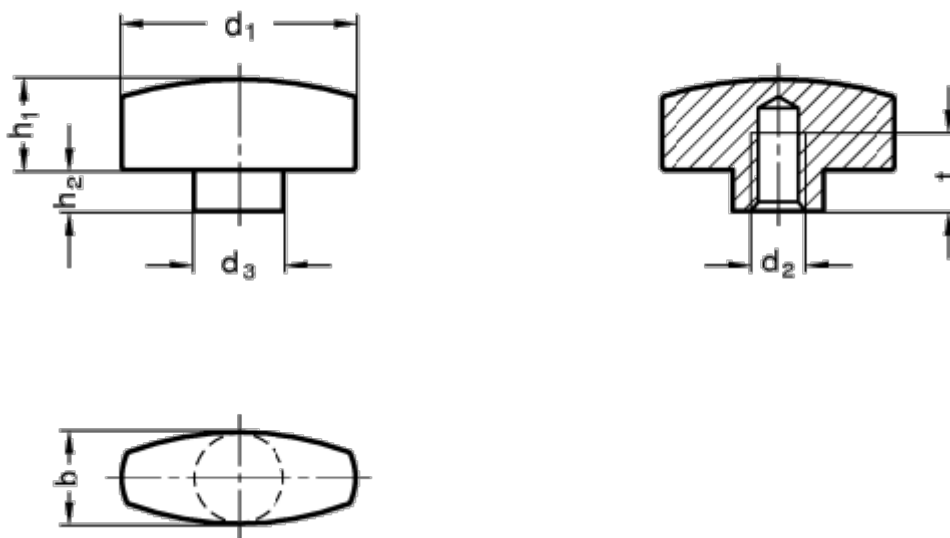


Article number: 201303430A

Description: E+G wing knob GN 434-26-M5-MT
Stainless steel

Measures



b	= 11
d1	= 26
d2	= M5
d3	= 10
h1	= 10
h2	= 4.5
t min	= 8